

# TM 1206

Advanced Tank Solutions

YOUR INNOVATION.  
OUR CHALLENGE.



## Advanced Tank technology for WW Hotmelt moulding machines

**For complex inline production lines and  
semi-manual standalone operation**

Hotmelt systems meet your highest standards in terms of quality, work and production safety, as well as maintenance and user-friendliness.

By combining state-of-the-art control and regulation technology with a comfortable and complete equipment, you gain the maximum benefit. An extremely compact design and the modular expansion options ensure versatile use in various applications.

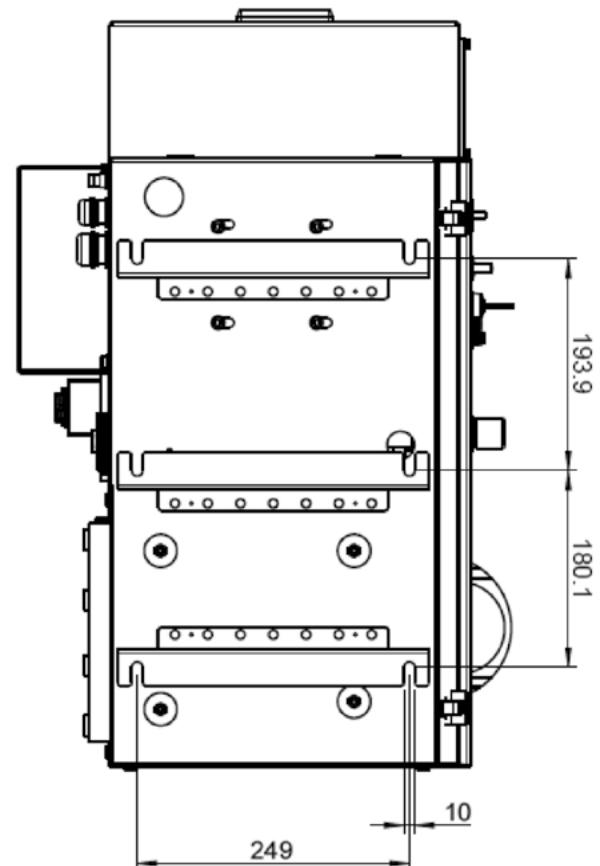
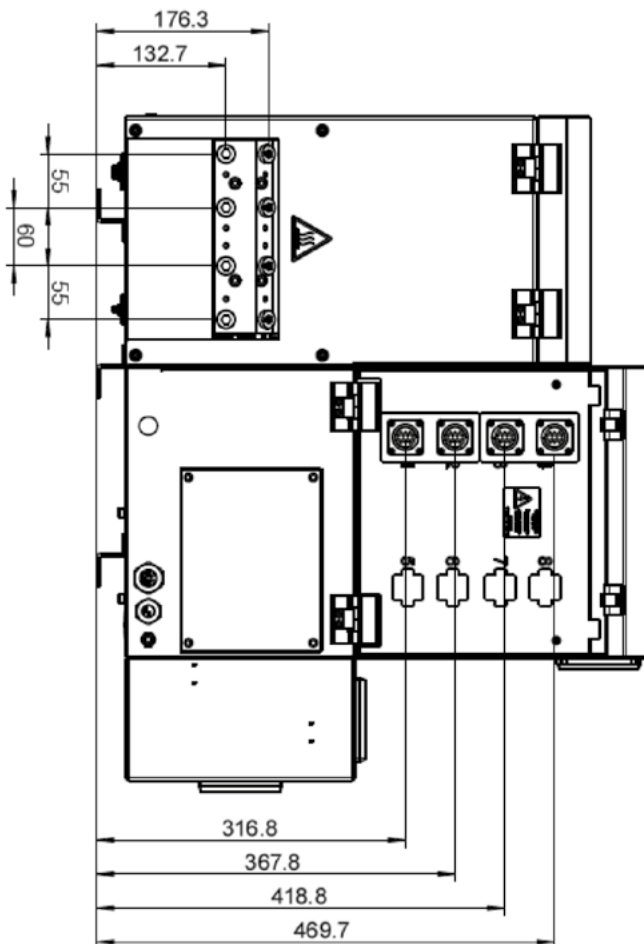
The tank system TM 1206 is equipped with selected components of very high quality. To ensure the functionality of the machine, please take note of the information in the user manual.

The hotmelt devices of the TM 1206 series process hotmelt within the context of hotmelt moulding applications. This means that, depending on the application, the hotmelt systems are integrated into production or industrial machines, becoming an integral part of the systems.

## TM 1206 | Technical specifications

General	
Housing	Steel plate, black
Maximum external dimensions, overall (LxWxH)	695 x 455 x 570 mm
Floor space (LxW)	700 x 450 x 455 mm
Weight	85 kg
Tank shape	Rectangular
Usable tank volume	4 liters
Melting capacity	4 liters per hour, depending on the material
Hose fittings	4
Hose connection threads	1/2" UNF
Pump control	Input for setpoint 0–20 mA
Pump	Gear pump 7.3 cc/rev
Pump speed	0–90 rpm
Flow rate (at density 1 g/cm <sup>3</sup> )	1–25 kg/h
Potting pressure	5–60 bar
Pneumatically controlled bypass valve	Available
Temperature control	
Maximum operating temperature	250 °C
Heating zones	1 x tank; 4 x hose + 4 x head. Total of 9 heating circuits

Operation/Features/Options	
External controller	Optional Profinet/Profibus
Weekly timer	Inclusive
Standby	Inclusive
Operator software multilingual, switchable	GER/EN
Operator software multilingual, switchable – Options	IT/PL/ES/CA/TR/DK/SE/RU/FR
Eco mode	Inclusive
Level sensor	Inclusive
Password protection	Inclusive
Temperature sensors	PT100
Pneumatic connection	6 bar
Electrical connection	CEE 16A 400V 50Hz 3P+N+PE
Protection class	IP22
Permissible ambient temperature	5–40 °C
Documentation	
Users manual	
Circuit diagrams (Electrical, Pneumatic)	
Parts/spare parts list	
Maintenance schedule	
CE conformity	



Werner Wirth GmbH

Hellgrundweg 111  
22525 Hamburg  
Germany

Phone +49 40 75 24 91-0  
info@wernerwirth.com  
www.wernerwirth.com

**YOUR INNOVATION.  
OUR CHALLENGE.**

